



**LEG Motorized Systems**

20258 NE 15<sup>th</sup> Court Miami, FL 33179 USA

TEL: 800 44MOTOR (446.6867)

TEL: 305 653.0337

FAX: 800 446.6442

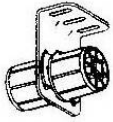
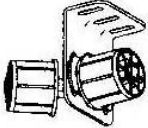
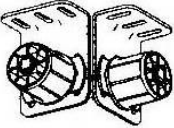

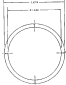
FAX: 305 653.6809

E-Mail: [sales@legmotorizedsystems.com](mailto:sales@legmotorizedsystems.com)

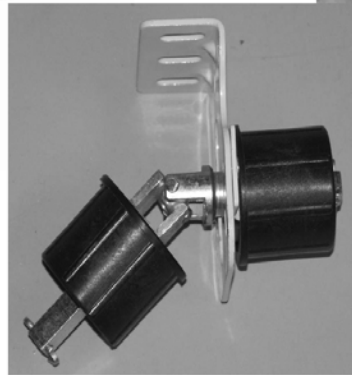
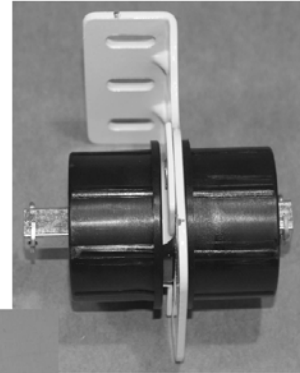
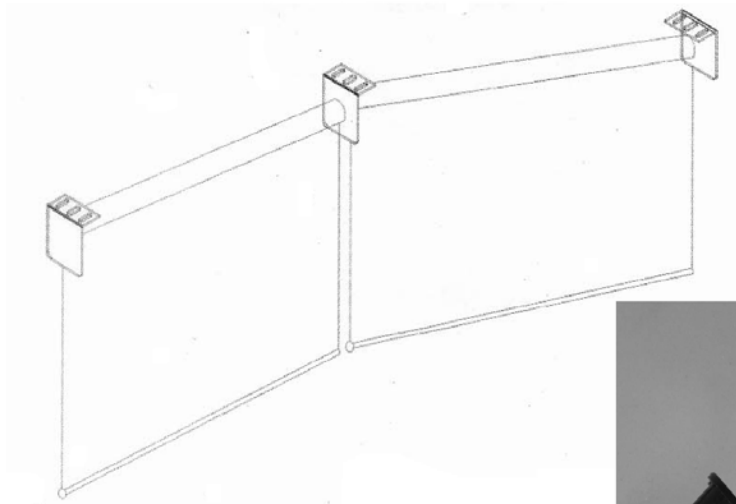
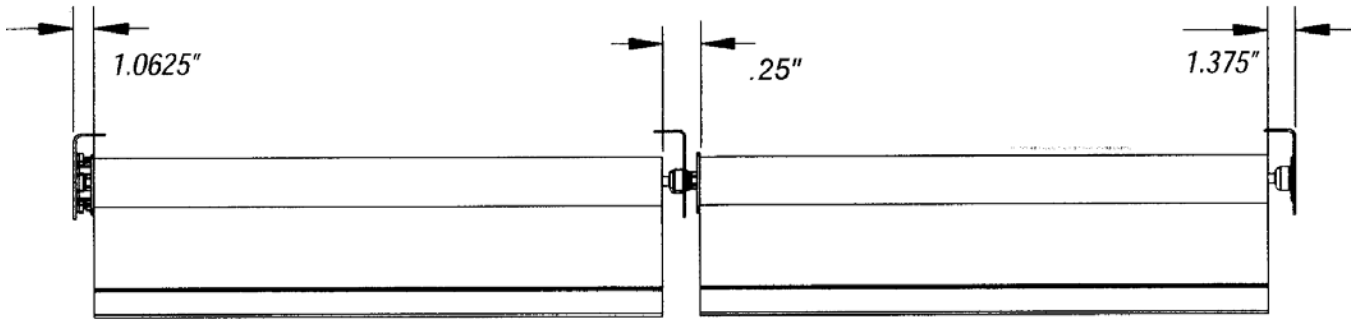
Mar-22-2012

**Shade *HARDWARE PARTS***

- THESE HAVE ADJUSTMENT SLOTS to Control Height

			21-30	11-20	1-19
<b>P 601</b>	Center Support 180° 		14.9	16.56	18.21
<b>P 604</b>	Universal 135° 		15.94	17.71	19.48
<b>P 602</b>	Adjustable Corner 90° 		15.94	17.71	19.48
			<b>400 +</b>	<b>100-399</b>	<b>1-100</b>
<b>P 202</b>	Fabric Clips 2" 50mm 200 / Cs 		0.63	0.68	0.73
<b>P 203</b>	Fabric Clip 1 9/16" 40mm		0.72	0.74	0.77
<b>P 204</b>	1 9/16" Alum Tube 40mm painted White index marks on tube 24ft 				
<b>P 205</b>	2" Alum Tube 51mm 24' Painted White /ft				
	2" Alum Tube 51mm 16' Natural /ft				
<b>P 206</b>	2" Steel Tube 51mm (20 ft Section )				

# Coupled Motor Shades More Effective Cost Effective





**MOTORIZED SYSTEMS**

**LEG Motorized Systems**

Miami, FL 33179

TEL: 800 446-6867

305-653-0337

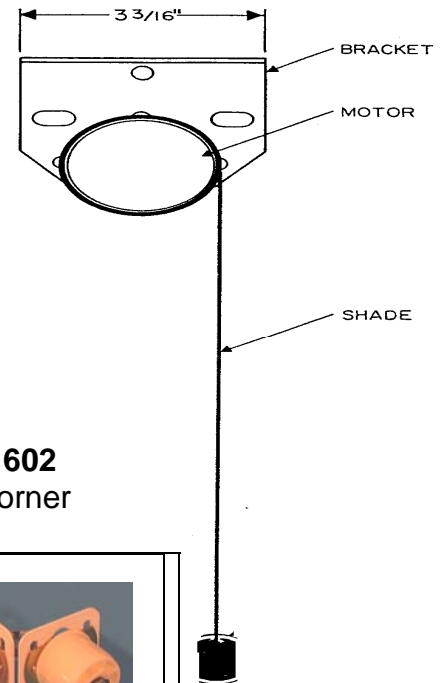
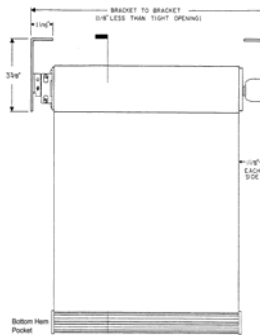
E-Mail: [sales@legmotorizedsystems.com](mailto:sales@legmotorizedsystems.com)

WEB: [www.legmotorizedsystems.com](http://www.legmotorizedsystems.com)

**Roll Shade Schematic Drawing**

FILE: Roll Shade Schematic Drawing

Mar-2012



Parts to Add Profit to your Sales

**P107** Idler End  
Gap= 1/4"

**P600** Universal

**P601**  
Center Support

**P 602**  
Corner



**END**

**Universal**

**Center**

**Corner**

- close fit-

Tubes Coupled 2" using P 106 Center Support

Ask about Universals & Corners

